



SewEzi™ Grand Table

“The relocatable sewing station”

ASSEMBLY INSTRUCTIONS

Content

- 1 x SewEzi Grande table top in large flat carton.
- 1 x SewEzi Grande base and leg assembly.
- 1 x fabric protection bag.
- 6x threaded white plastic posts with 12 Al- len (hex) head screws.
- 2 x purple spacer sheets.
- 4 x black plastic bolt caps.
- 1 X 4mm Allen (hex) key stored in a black plastic end cap on the base.
- 1 x 5 mm Allen (hex) key.
- 1 x acrylic machine insert.

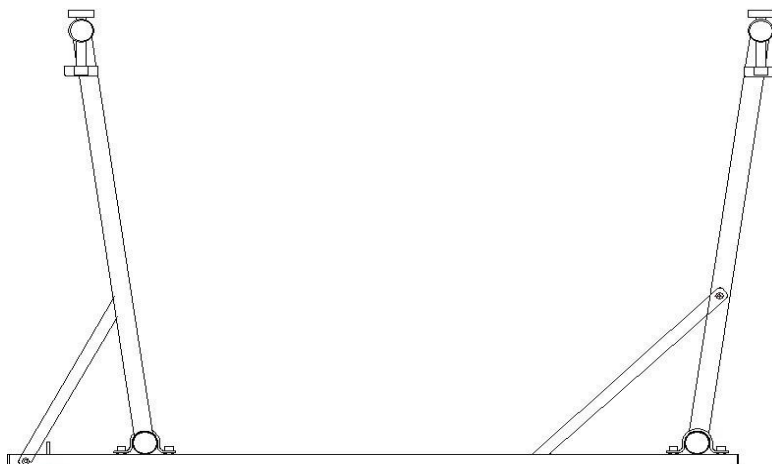
Assembly

STEP 1:

Select a large clear space for assembly. Use a towel or blanket to provide a soft working surface. Remove the base/ leg assembly from the box and place it with the legs facing up.

Fold the legs up past the vertical. The legs will be quite stiff to move. Unhook the black elastic band which holds the stay to the leg. The stays are the silver pieces. Rotate the stay and the leg until the slotted end of the stay hooks on to the screw that is sticking out of the base frame. You may have to unwind the screw if it is not sticking out far enough to allow the stay to connect.

Once the slotted end is firmly hooked on to the screw, use the 5 mm Allen key to tighten the screws at both ends of the stay.



STEP 2:

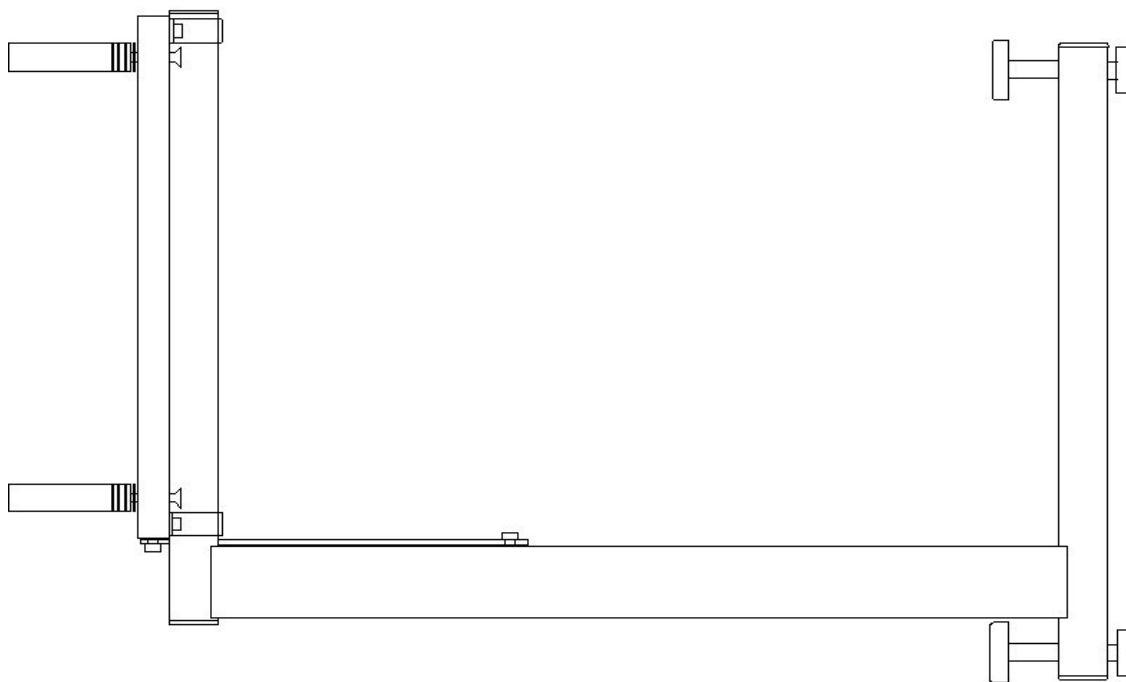
Lay the base assembly on its side.

Unthread the 12 screws from the white plastic threaded posts. Place 6 of the screws through the bottom of the base so that the thread pokes out on the white wooden side. Make sure you use the holes along the edge of the Wood.

There is one hole 50 mm (2") in from the edge which is for the accessory tray latch.

If your top has **GL** on the box, or your insert number starts with **GL**, then please use the two holes through the metal frame at the same end of the table.

Check the label on the acrylic insert to see how many spacers are required for your sewing machine. If you are going to use more than one sewing machine in the table, set it up for the one with the highest free arm, i.e. The one with the largest number of spacers. If the insert says 5 spacers then you need 5 plus one of the thin spacers, the thin spacers can easily be identified by the 'knobs' on either edge.



Break of the required number of spacers from the spacer sheet. If the label says 0 or is blank, then you just need 6 thin spacers, one for each screw. Place the required spacers on the projecting end of the screw, then screw one of the threaded posts on to each screw.

If your table requires more than 6 spacers, put some on each end of the threaded rod.

If you are setting up your table for GL top, you don't need the thin spacer on the 2 screws which go through the purple metal frame.

Repeat this process until all 6 threaded posts are on the table.

IMPORTANT

When using this insert with your SewEzi table, add

0 1 2 3 4 6 _____

extra plastic spacers.

These are placed on each of the four Allen head screws used to attach the sewing machine threaded posts to the bottom of the tabletop.

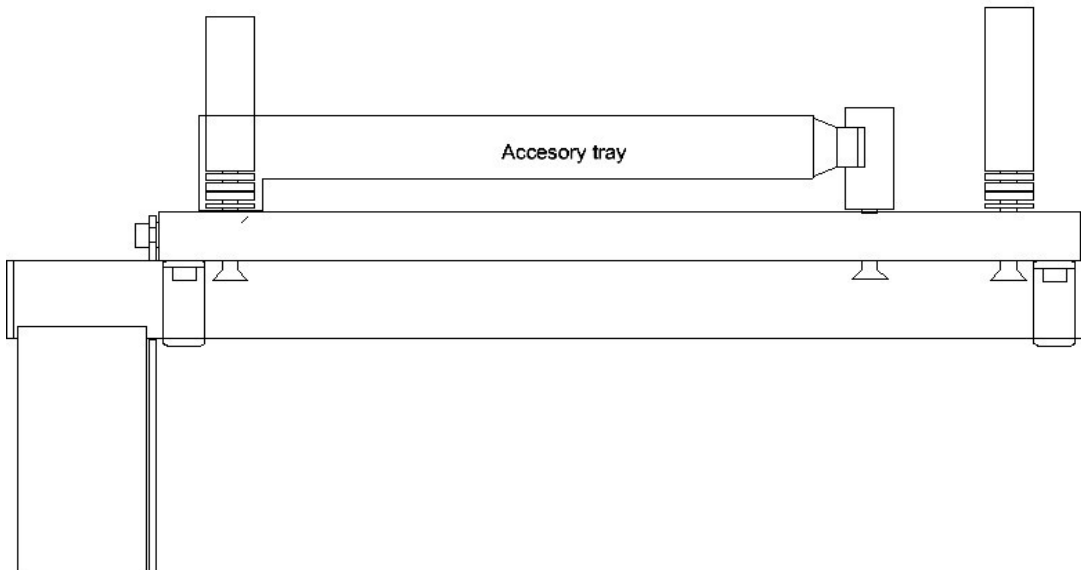
See step 2 of your assembly instructions

STEP 3:

Stand the table base up on its feet.

If you have an accessory tray, there will be a short threaded post with one screw in the box with the tray. Screw this post into the latch post hole which is the one 50mm (2") in from the edge.

Slide the hinge hole of the tray over the rear, nearside threaded post. This is the post opposite the latch post. You do not need to use the small plastic spacer which will be in the tray box.

**STEP 4:**

You are now ready to place the top on to the base. Position the top so that the label is underneath and the countersunk holes line up with the threaded posts.

Attach the top to the posts with the remaining 6 screws and tighten all the screws using the 4 mm Allen key. You may need to push or pull the posts to line up to the holes, if you have trouble with lining up a post, loosen the bottom screw to allow the post to move slightly.

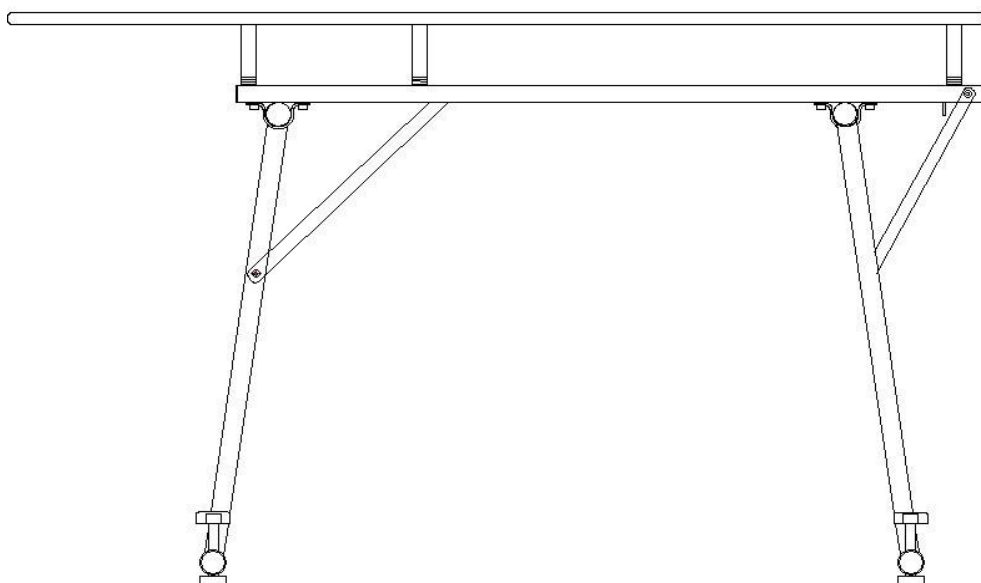
The final task is to set the table height. Take the 4 black plastic caps from the hardware pack and push them firmly on to the heads of the foot adjusting screws. It can take a bit of work to get them fully on. Once the caps are in place you can adjust the screws to stabilise the table and can raise or lower it a small amount depending on how many spacers you have had to use.

STEP 5:

You are now ready to insert your sewing machine.

If you have installed an accessory tray, unlatch it and swing it out of the way. Sit the sewing machine in the table and position it so that the acrylic insert locates around the free arm. You will need to remove any removable surround from the machine free arm

The surface of the acrylic insert should be level or only slightly lower than the free arm of the sewing machine. If it is too high or low, this can be adjusted by adding or removing spacers from the threaded posts.



To Fold Away

Remove your sewing machine and insert from the table. **Be careful with the acrylic insert as they can break if they are dropped.** If you have an accessory tray, swing it in and latch it on the latch post.

Loosen the screws at **both** ends of the stays. Rotate the stays parallel with the legs and slip the elastic retainer over the end to hold the stay. Tip the table on to its side and fold the legs against the base.

The protective bag is an envelope which slips over the edge of the table and then flaps Velcro around the other edge. If you store or move your table often then you may find the new “Grande Mobile” useful which makes it much easier to move and store.

Questions

If you should have any questions about your SewEzi™ Sewing Table, please contact your stockists by visiting www.sewezi.com.